

Rooftop Systems

FARAD	35
HD-1000 A/C	37
HD-1000 HVAC	39
KA-300	41
KA-2000	43
KA-3000	45



Features

- Rugged steel base and molded cover offer superior construction
- Designed to withstand and perform in the most punishing environments
- Industry leading performance with 30,000 BTU/hr cooling capacity
- Option to have pipes as a side exit

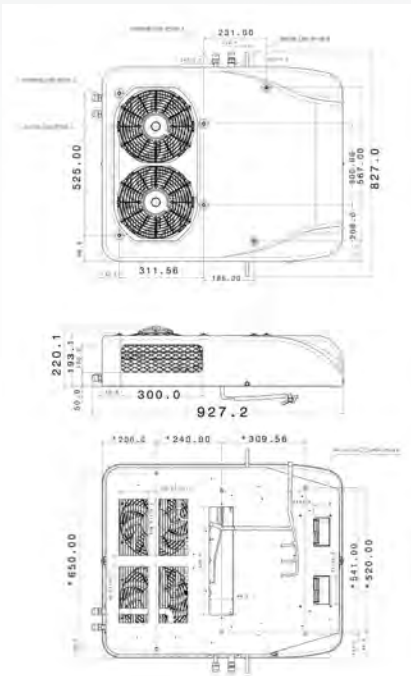
Air Distribution and Control Panel



Suggested Applications



Line Drawing

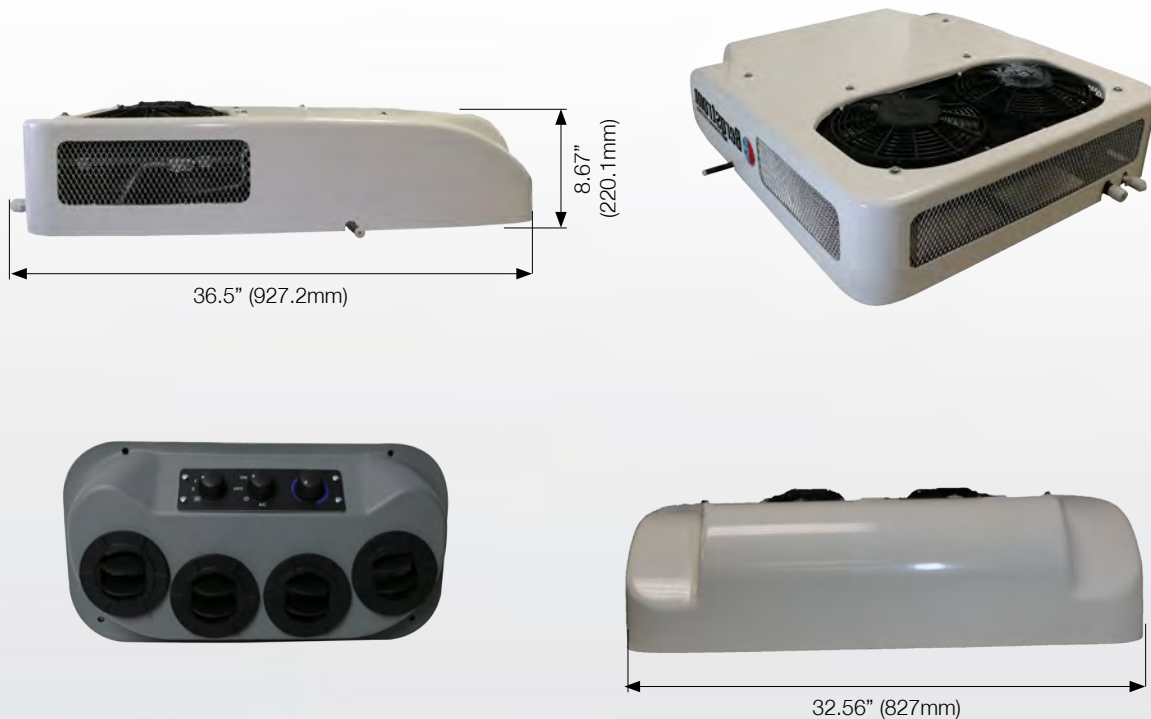


Technical Specifications

Model	Farad 12V
Voltage	12V
Power	30,027 BTU/hr (8,8 kW)
Amps	20 A/h
Maximum air flow	294 SCFM (500 m ³ /hr)
Dimensions (L x W x H)	36.50in x 32.56in x 8.67in (927.2mm x 827mm x 220.1mm)
Weight	77 lbs. (34,9 kg)
Mounting Position	Roof

Measurements are listed using the U.S. system with the metric system in parenthesis.

Dimensions layout



Advantages

- Operator Comfort
- Perfect match for your vehicle
- Best Value
- Very durable structure
- Virtually maintenance free
- Powerful electric compressor unit

Farad Order Guide

Part	Part Number	Notes
Unit Part Number	BSP00044AC12	12V 24V
Blower Motor		12V 24V
Resistor		12V 24V
Thermostat		12V 24V
Evaporator		12V 24V
Fan Switch		12V 24V
Expansion Valve		12V 24V
Switch (High, Low)		12V 24V
Receiver Drier		12V 24V
Condenser		12V 24V



2390 Blackhawk Rd.
 PO Box 6007
 Rockford, IL 61125
 866.507.9773
 bergstrominc.com

Warranty

- 2-year limited warranty on parts and systems



Features

- Heavy-duty steel construction
- Durable double wheel blower
- Variable speed blower switch
- Adjustable thermostat and water valve controls
- Headliner control panel with integrated light
- Integrated receiver drier and single fan condenser

Air Distribution and Control Panel

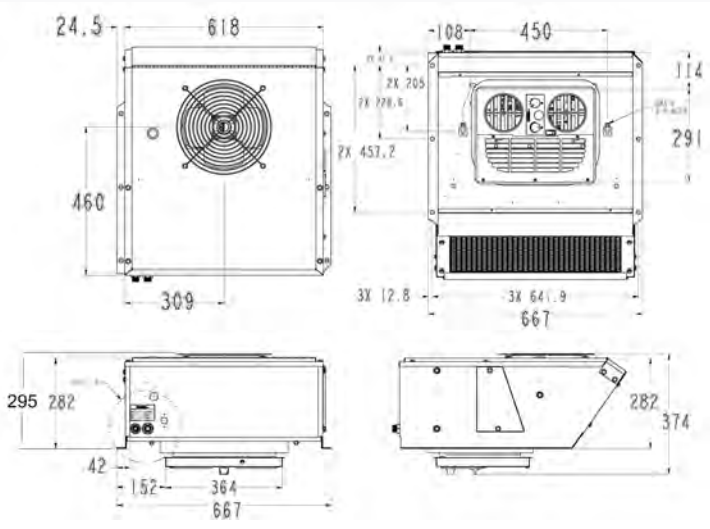


Available with a black hardware kit, page 115

Suggested Applications



Line Drawing

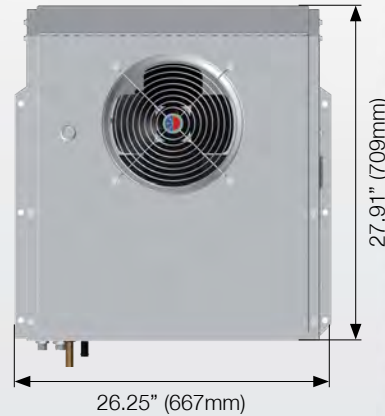


Technical Specifications

Model	HD-1000 12V	HD-1000 24V
Voltage	12V	24V
Power	25,932 BTU/hr (7,6 kW)	25,932 BTU/hr (7,6 kW)
Amps	32 A/h	16 A/h
Maximum air flow	HVAC Blower: 315 SCFM (1,275 m ³ /hr) Fan: 750 SCFM (1,275 m ³ /hr)	HVAC Blower: 315 SCFM (1,275 m ³ /hr) Fan: 750 SCFM (1,275 m ³ /hr)
Dimensions (L x W x H)	27.91in x 26.26in x 11.61in (709mm x 667mm x 295mm)	27.91in x 26.26in x 11.61in (709mm x 667mm x 295mm)
Weight	85.1 lbs. (38,6 kg)	85.1 lbs. (38,6 kg)
Mounting Position	Roof	Roof
Refrigeration Inlet	1/2" (#8) tube inverted male o-ring (3/4-16 UNF thread)	1/2" (#8) tube inverted male o-ring (3/4-16 UNF thread)
Refrigeration Outlet	5/8" (#10) tube inverted male o-ring (7/8-14 UNF thread)	5/8" (#10) tube inverted male o-ring (7/8-14 UNF thread)

Measurements are listed using the U.S. system with the metric system in parenthesis.

Dimensions layout



Advantages

- Operator Comfort
- Perfect match for your vehicle
- Versatile mount to roof
- Durable structure
- Heavy-duty applications

Black Hardware Kit	Part Number
Guard Fan	1000335550
M6 Hex Head 25mm Screws	1000898591
M6 Hex Head 16mm Screws	1000898585

HD-1000 A/C Order Guide

Part	Part Number	Notes
Unit Part Number*	BSP00009AC12 BSP00009AC24	12V 24V
Blower Assembly	1099097 1075048	12V 24V
Resistor	2075006 2075008	12V 24V
Condenser	1575027 1575027	12V 24V
Thermostat	2399004 2399004	12V 24V
Evaporator	1675017 1675017	12V 24V
Expansion Valve	1875004 1875004	12V 24V
Receiver Drier	1999214 1999214	12V 24V
Switch	High: 2275009, Low: 2275010 High: 2275009, Low: 2275010	12V 24V
Recirculation Filter Kit	3175006 3175006	12V 24V
R-134a Hose kits with service valves, R-134a access ports	3475002 3475003	18 ft. 24 ft.
R-134a Hose kits without access ports	3475004 3475005	18 ft. 24 ft.

*Installation kit included with system
Crimper kit is required. Bergstrom also offers a crimper kit (part number 2610005).



2390 Blackhawk Rd.
PO Box 6007
Rockford, IL 61125
866.507.9773
bergstrominc.com

Warranty

- 2-year limited warranty on parts and systems



Features

- Heavy-duty steel construction
- Durable double wheel blower
- Variable speed blower switch
- Adjustable thermostat and water valve controls
- Headliner control panel with integrated light
- Integrated receiver drier and single fan condenser

Air Distribution and Control Panel

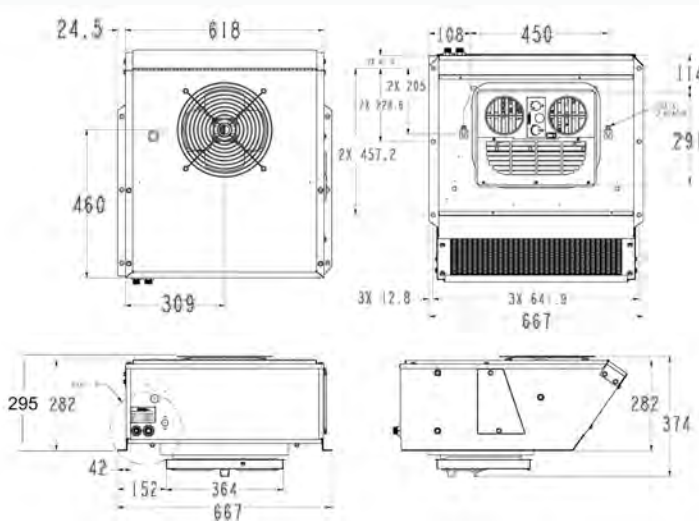


Available with a black hardware kit, page 115

Suggested Applications



Line Drawing

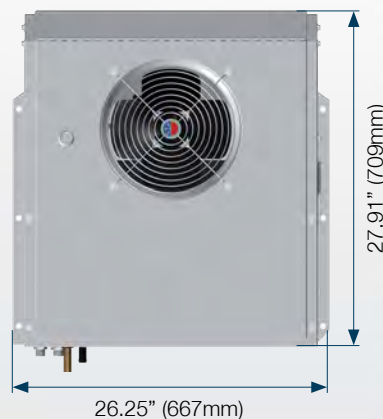


Technical Specifications

Model	HD-1000 12V	HD-1000 24V
Voltage	12V	24V
Power	Cold: 25,932 BTU/hr (7,6 kW) Hot: 34,120 BTU/hr (10,0 kW)	Cold: 25,932 BTU/hr (7,6 kW) Hot: 34,120 BTU/hr (10,0 kW)
Amps	32 A/h	16 A/h
Maximum air flow	315 SCFM (535 m ³ /hr)	4315 SCFM (535 m ³ /hr)
Dimensions (L x W x H)	27.91in x 26.26in x 11.61in (709mm x 667mm x 295mm)	27.91in x 26.26in x 11.61in (709mm x 667mm x 295mm)
Weight	88 lbs. (40,0 kg)	88 lbs. (40,0 kg)
Mounting Position	Roof	Roof
Refrigeration Inlet	1/2" (#8) tube inverted male o-ring (3/4-16 UNF thread)	1/2" (#8) tube inverted male o-ring (3/4-16 UNF thread)
Refrigeration Outlet	5/8" (#10) tube inverted male o-ring (7/8-14 UNF thread)	5/8" (#10) tube inverted male o-ring (7/8-14 UNF thread)

Measurements are listed using the U.S. system with the metric system in parenthesis.

Dimensions layout



Advantages

- Operator Comfort
- Perfect match for your vehicle
- Versatile mount to roof or side
- Durable structure
- Heavy-duty applications
- Available with a black hardware kit

HD-1000 HVAC Order Guide

Part	Part Number	Notes
Unit Part Number*	BSP00006HVAC12 BSP00006HVAC24	12V 24V
Blower Assembly	1099097 1075048	12V 24V
Resistor	2075006 2075008	12V 24V
Condenser	1575008 1575008	12V 24V
Thermostat	2399004 2399004	12V 24V
Evaporator/Heater Coil	1675016 1675016	12V 24V
Water Valve	2475002 2475002	12V 24V
Expansion Valve	1875004 1875004	12V 24V
Receiver Drier	1975002 1975002	12V 24V
Switch	High: 2275009, Low: 2275010 High: 2275009, Low: 2275010	12V 24V
Recirculation Filter Kit	3175006 3175006	12V 24V
R-134a Hose Kits with service valves, R-134a access ports	3475002 3475003	18 ft. 24 ft.
R-134a Hose Kits without access ports	3475004 3475005	18 ft. 24 ft.

*Installation kit included with system
Crimper Kit 2610005 is required

Black Hardware Kit	Part Number
Guard Fan	1000335550
M6 Hex Head 25mm Screws	1000898591
M6 Hex Head 16mm Screws	1000898585



2390 Blackhawk Rd.
PO Box 6007
Rockford, IL 61125
866.507.9773
bergstrominc.com

Warranty

- 2-year limited warranty on parts and systems



Features

- Heavy-duty steel base construction
- Durable double wheel plastic blower
- Headliner control panel with integrated light
- Adjustable thermostat control
- Variable speed blower switch
- Integrated receiver drier and single fan condenser

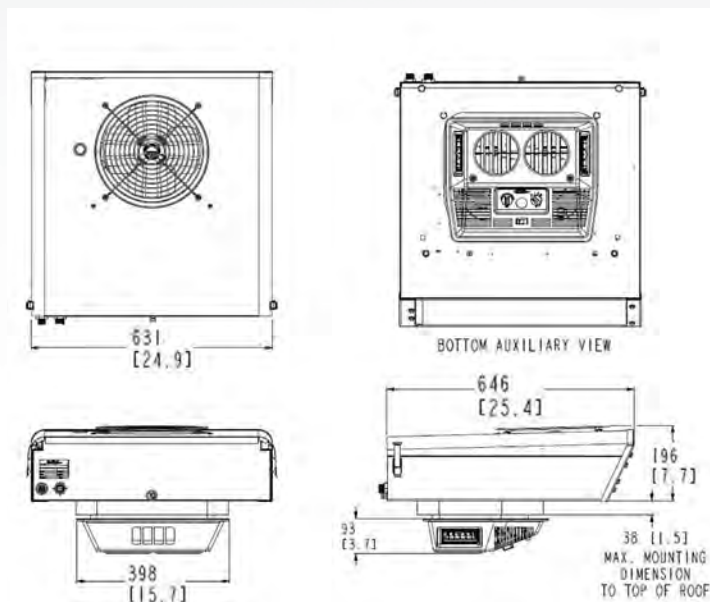
Air Distribution and Control Panel



Suggested Applications



Line Drawing

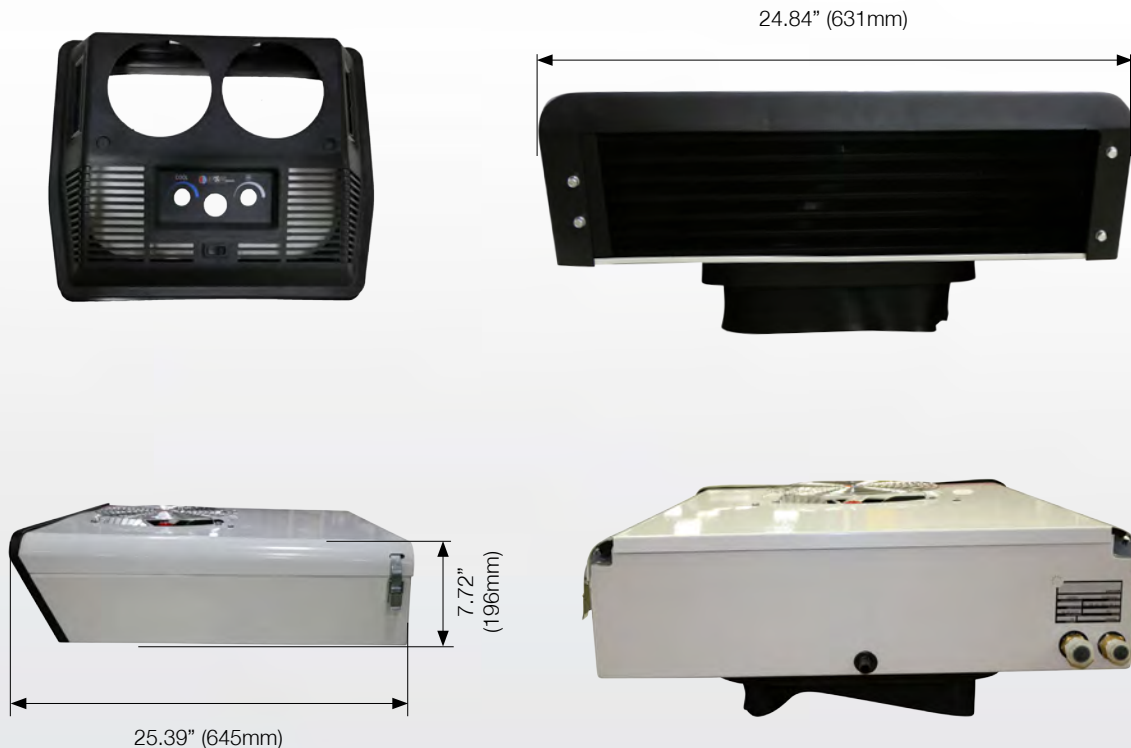


Technical Specifications

Model	KA-300 12V	KA-300 24V
Voltage	12V	24V
Power	18,900 BTU/hr (5,5 kW)	18,900 BTU/hr (5,5 kW)
Amps	26 A/h	13 A/h
Maximum air flow	245 SCFM (416 m ³ /hr)	245 SCFM (416 m ³ /hr)
Dimensions (L x W x H)	25.39in x 24.84in x 7.72in (645mm x 631mm x 196mm)	25.39in x 24.84in x 7.72in (645mm x 631mm x 196mm)
Weight	74 lbs. (33.6 kg)	74 lbs. (33.6 kg)
Mounting Position	Roof	Roof
Refrigeration Inlet	1/2" (#8) tube inverted male o-ring (3/4-16 UNF thread)	1/2" (#8) tube inverted male o-ring (3/4-16 UNF thread)
Refrigeration Outlet	5/8" (#10) tube inverted male o-ring (7/8-14 UNF thread)	5/8" (#10) tube inverted male o-ring (7/8-14 UNF thread)

Measurements are listed using the U.S. system with the metric system in parenthesis.

Dimensions layout



Advantages

- Operator Comfort
- Perfect match for your vehicle
- Best Value
- Very durable structure

Black Hardware Kit	Part Number
Guard Fan	1000335550
M6 Hex Head 25mm Screws	1000898591
M6 Hex Head 16mm Screws	1000898585
Latch, Black	1000929194

KA-300 Order Guide

Part	Part Number	Notes
Unit Part Number*	BSP00039AC12 BSP00039AC24	12V 24V
Blower Motor	1075044 1075046	12V 24V
Resistor	2175003 2175003	12V 24V
Thermostat	2399004 2399004	12V 24V
Evaporator	1675006 1675006	12V 24V
Fan Switch	2175003 2175003	12V 24V
Expansion Valve	1899035 1899035	12V 24V
Switch (High, Low)	2275005, 2275012 2275005, 2275012	12V 24V
Receiver Drier	1000310813 1000310813	12V 24V
Condenser	1575009 1575009	12V 24V
R-134a Hose Kits	3475004 3475005	18 ft. 24 ft.

*Installation kit included with system



2390 Blackhawk Rd.
PO Box 6007
Rockford, IL 61125
866.507.9773
bergstrominc.com

Warranty

- 2-year limited warranty on parts and systems



Features

- Heavy-duty steel construction with plastic cover
- Durable double wheel blower
- 3-speed blower switch
- Adjustable thermostat switch
- Integrated headliner control panel
- Integrated receiver drier and dual fan condenser

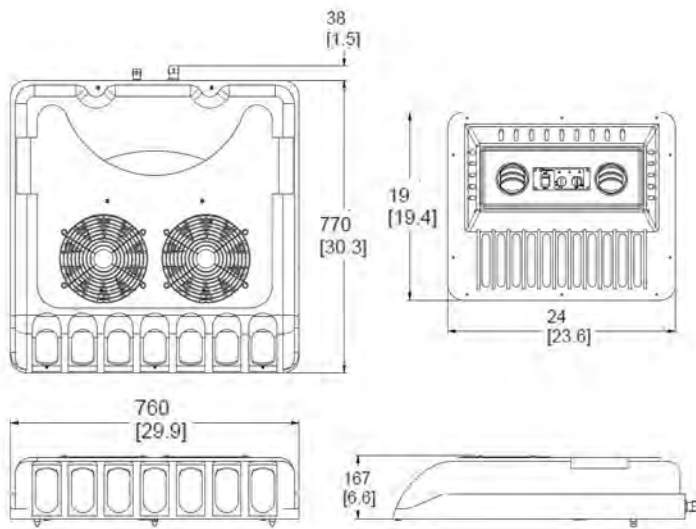
Air Distribution and Control Panel



Suggested Applications



Line Drawing

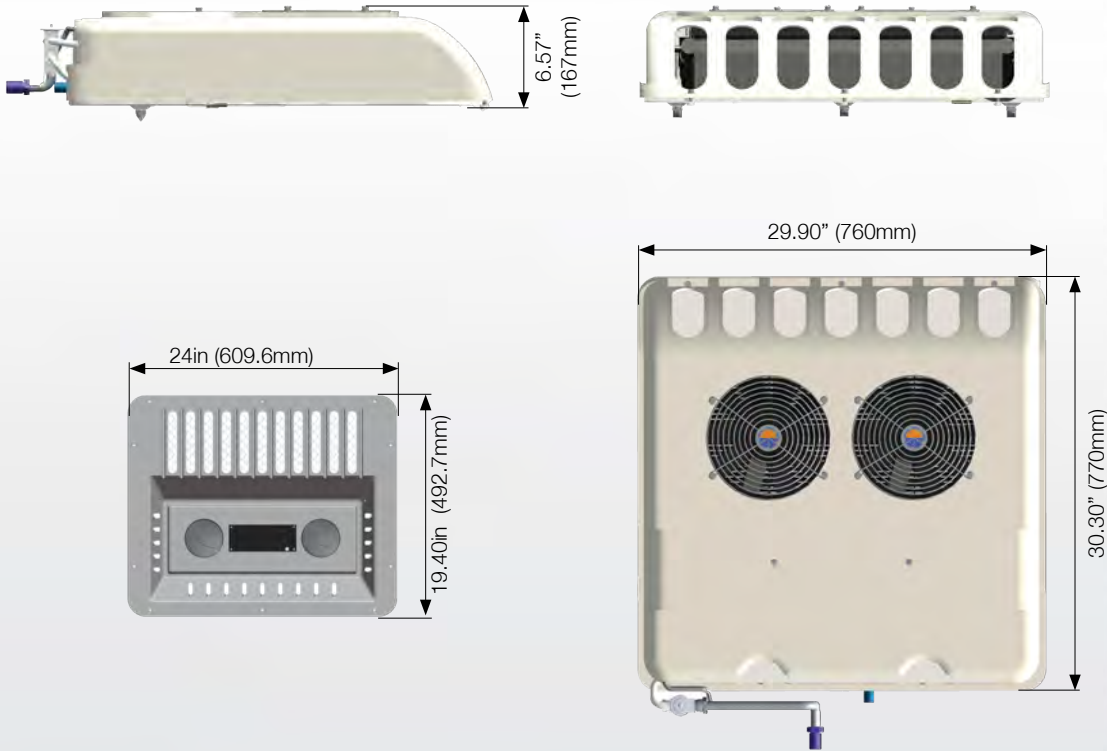


Technical Specifications

Model	KA-2000 12V	KA-2000 24V
Voltage	12V	24V
Power	20,130 BTU/hr (5,9 kW)	20,130 BTU/hr (5,9 kW)
Amps	26 A/h	18 A/h
Maximum air flow	240 SCFM (416 m ³ /hr)	240 SCFM (416 m ³ /hr)
Dimensions (L x W x H)	30.32in x 29.92in x 6.57in (770mm x 760mm x 167mm)	30.32in x 29.92in x 6.57in (770mm x 760mm x 167mm)
Weight	71 lbs. (32,2 kg)	71 lbs. (32,2 kg)
Mounting Position	Roof	Roof
Refrigeration Inlet	1/2" (#8) tube inverted male o-ring (3/4-16 UNF thread)	1/2" (#8) tube inverted male o-ring (3/4-16 UNF thread)
Refrigeration Outlet	5/8" (#10) tube inverted male o-ring (7/8-14 UNF thread)	5/8" (#10) tube inverted male o-ring (7/8-14 UNF thread)

Measurements are listed using the U.S. system with the metric system in parenthesis.

Dimensions layout



Advantages

- Operator Comfort
- Perfect match for your vehicle
- Best value in price & efficiency
- Very durable structure
- Virtually maintenance free
- Low-profile

KA-2000 Order Guide

Part	Part Number	Notes
Unit Part Number*	BSP00012AC12 BSP00012AC24	12V 24V
Blower Assembly	1099107 1099108	12V 24V
Axial Fan	1099105 1099106	12V 24V
Condenser	1599103 1599103	12V 24V
Thermostat	2399024 2399024	12V 24V
Evaporator	1699007 1699007	12V 24V
Expansion Valve	1899033 1899033	12V 24V
Receiver Drier	1999209 1999209	12V 24V
R-134a Hose kits with service valves, R-134a access ports	3475002 3475003	18 ft. 24 ft.
R-134a Hose kits without access ports	3475004 3475005	18 ft. 24 ft.

*Installation kit included with system



2390 Blackhawk Rd.
PO Box 6007
Rockford, IL 61125
866.507.9773
bergstrominc.com

Warranty

- 2-year limited warranty on parts and systems



Condenser



Evaporator

Features

- Low-profile rooftop mount condenser
- Headliner mount A/C
- Heavy-duty steel base construction with plastic cover
- Durable construction
- Integrated receiver drier
- (2) Double wheel blowers

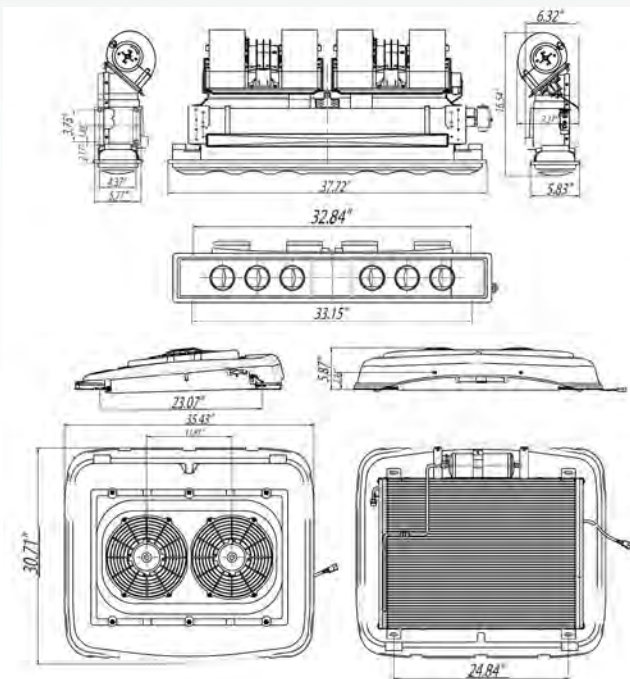
Air Distribution Panel



Suggested Applications



Line Drawing



Technical Specifications

Model	KA-3000 12V
Voltage	12V
Power	Evaporator: 23,332 BTU/hr (9,6 kw) Condenser: 35,860 BTU/hr (10,5 kW)
Amps	Evaporator: 11 A/h @ 27.6v - 22 A/h @ 13.8v Condenser: 12 A/h @ 12v
Maximum air flow	Evaporator: 437 SCFM (742 m ³ /hr) Condenser: 875 SCFM (1,486 m ³ /hr)
Evaporator Dimensions (L x W x H)	37.72in x 16.54in x 7.37in (958mm x 420mm x 187mm)
Condenser Dimensions (L x W x H)	30.7in x 35in x 6.06in (779mm x 889mm x 154mm)
Weight	Evaporator: 41 lbs. (18,6 kg) Condenser: 47 lbs. (21,3 kg)
Mounting Position	Evaporator: Headliner Condenser: Rooftop

Measurements are listed using the U.S. system with the metric system in parenthesis.

Dimensions layout



Advantages

- Operator Comfort
- Perfect match for your vehicle
- Very durable structure

KA-3000 Order Guide

Part	Part Number	Notes
Unit Part Number	BSP00015AC12	12V
Blower Motor	1099111	12V
Condenser	1599104	12V
Thermostat	2399025	12V
Evaporator	1699008	12V
Axial Fan	1099109	12V
Fan Switch	2199005	12V
Expansion Valve	1899034	12V
Trinary Switch	2299103	12V
Receiver Drier	1999210	12V



2390 Blackhawk Rd.
 PO Box 6007
 Rockford, IL 61125
 866.507.9773
 bergstrominc.com

Warranty

- 2-year limited warranty on parts and systems